



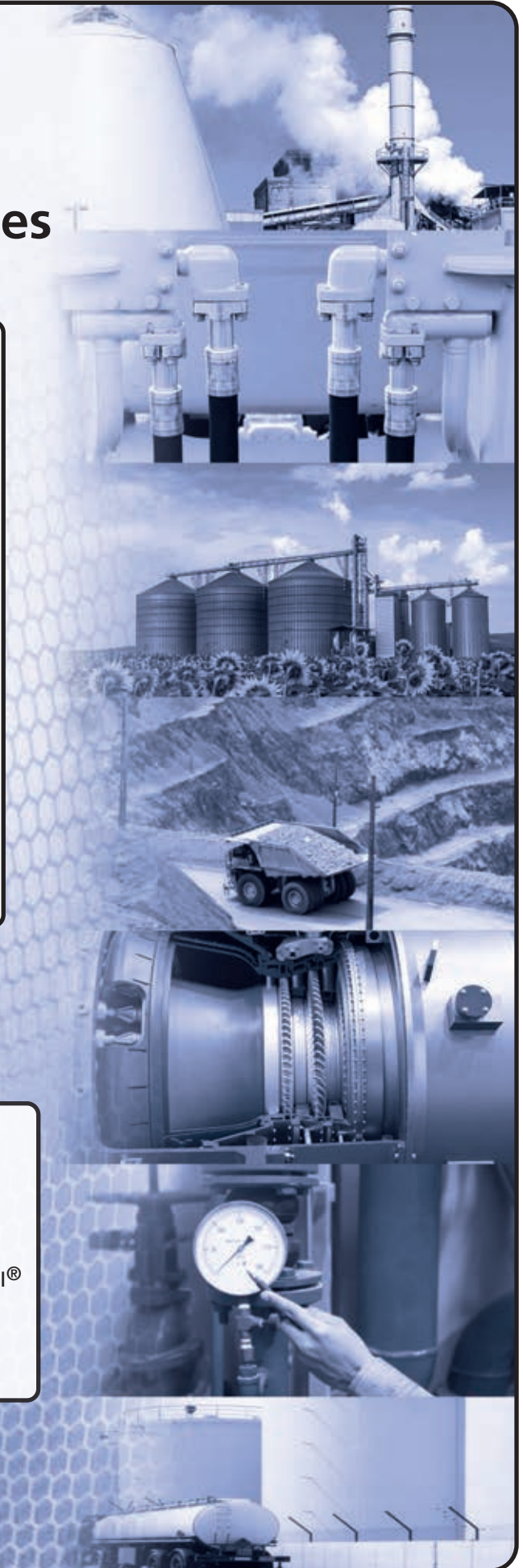
FBG 015 Series L-Type Hydraulic Filter Assemblies

Low-Pressure Hydraulic Filter Assemblies



Features

- 400 psi (28 bar) operating pressure
- 15 gpm (57 lpm) nominal flow rate
- Elements available with $\beta_{x(c)} \geq 1000$ Glas-Tech III[®] media
- 3/4" NPT ports
- Optional 50 psid (3.4 bar) $\pm 10\%$ bypass valve



Technical Data

- Pressure & Temperature Rating

Operating Pressure:	400 psi (28 bar)
Proof Pressure:	600 psi (41 bar)
Burst Pressure:	800 psi (55 bar)
Operating Temperature:	-40°F to +250°F (-40°C to +121°C)

- Materials of Construction

Cover:	Steel
Case:	Steel

- Bypass Options

Bypass Valve Setting:	50 psid (3.4 bar) ±10%
-----------------------	------------------------

- Seal Material Options

Seal Material :	Buna Viton®
-----------------	----------------

Elements

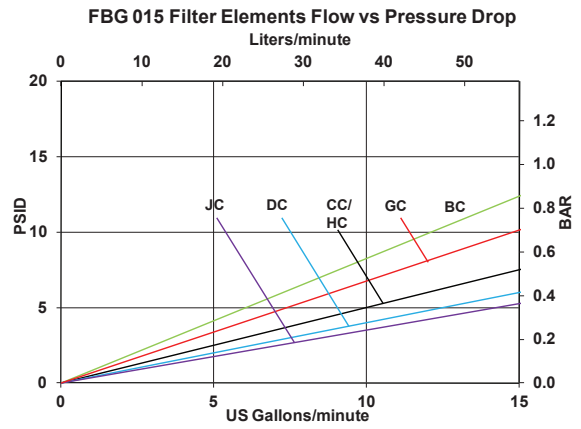
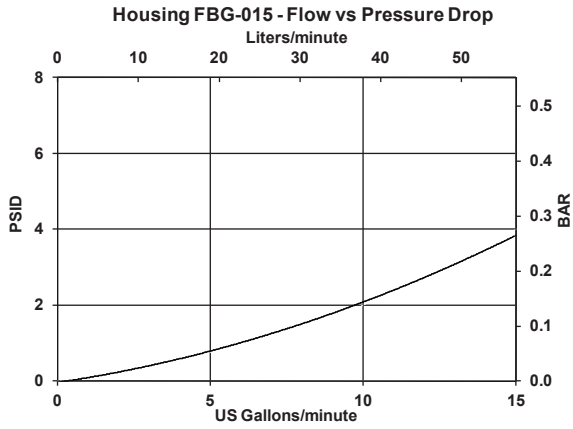
PTI filter elements are manufactured with the highest quality materials. PTI filter elements feature multi-layer construction for increased dirt-holding capacity and low pressure drop. PTI elements provide cost-effective contamination control for the most demanding applications. All elements are tested to the latest industry standards including ISO 16889 procedure for multipass efficiency.

Filtration Rating

Multipass test results per old ISO 4572 and new ISO 16889 test procedures
Particle size (x) in microns at which the Beta Ratio (β) is greater than or equal to the indicated value (200 or 1000).

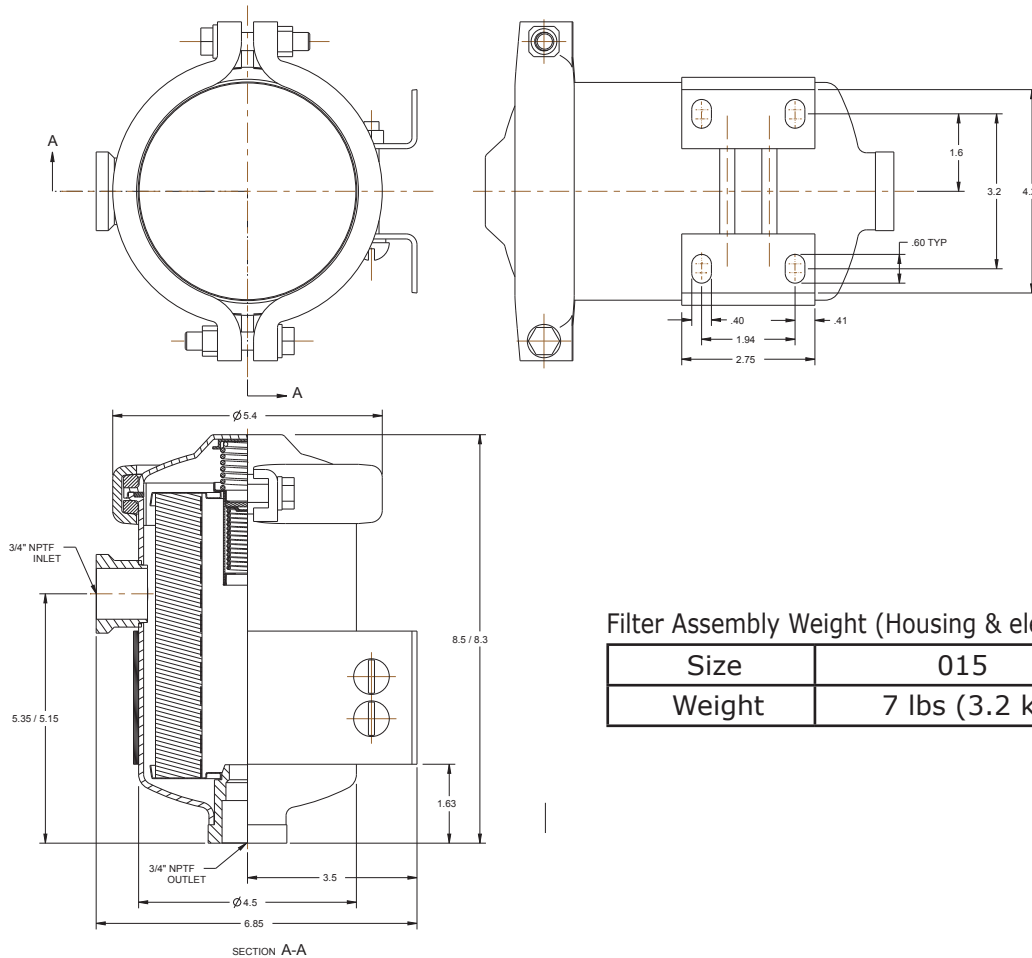
Code	Per ISO 4572	Per ISO 16889	
	$\beta_x \geq 200$	$\beta_{x(c)} \geq 200$	$\beta_{x(c)} \geq 1000$
G	3 μ m	5 μ m	7 μ m
H	6 μ m	7 μ m	9 μ m
J	23 μ m	21 μ m	24 μ m
	Code	Micron Rating	Media
	B	3 μ m	Cellulose
	C	10 μ m	Cellulose
	D	23 μ m	Cellulose

Flow Rate/Pressure Drop Curves



Pressure drop curves are for clean elements using 150 SUS (32 cSt) petroleum base hydraulic fluid of 0.9 S.G. Filter Assembly ΔP = Housing ΔP + Element ΔP

Dimensions in Inches (mm)



Filter Assembly Weight (Housing & element):

Size	015
Weight	7 lbs (3.2 kg)

Ordering Information

Assembly:

FBG-015	-	X	X	-	X	X	X	X	X
TBL 1	TBL 2	TBL 3	TBL 4	TBL 5	TBL 6	TBL 7	TBL 8	TBL 9	

Table 1 **Size**

Code	Nominal Flow
015	15 gpm (57 lpm)

Table 2 **Filtration Rating**

Code	Micron Rating	Media
G	$\beta_{7(c)} \geq 1000$	Glas-Tech III®
H	$\beta_{9(c)} \geq 1000$	Glas-Tech III®
J	$\beta_{24(c)} \geq 1000$	Glas-Tech III®
B	3 μm	Cellulose
C	10 μm	Cellulose
D	25 μm	Cellulose
N	No Filter Element	

Table 3 **Collapse**

Code	Collapse Rating
C	75 psid (5 bar)
N	No Filter Element

Table 4 **Seals**

Code	Material
B	Buna
V	Viton*

Table 5 **Port**

Code	Option
D	3/4 " NPT

Table 6 **Gauge Ports**

Code	Option
O	None

* Glas-Tech elements only
Viton® is a registered trademark of
DuPont Performance Elastomers

Table 7 **Indicators**

Code	Option
N	None

Table 8 **Bypass**

Code	Option
H	50 psid (3.4 bar) ±10%
N	No Bypass

Table 9 **Drain Port**

Code	Option
N	None

Element:

FBG-	015	-	X	X	-	X
TBL 1	TBL 2	TBL 3	TBL 4			

Table 1 **Size**

Code	Nominal Flow
015	15 gpm (57 lpm)

Table 2 **Filtration Rating**

Code	Micron Rating	Media
G	$\beta_{7(c)} \geq 1000$	Glas-Tech III®
H	$\beta_{9(c)} \geq 1000$	Glas-Tech III®
J	$\beta_{24(c)} \geq 1000$	Glas-Tech III®
B	3 μm	Cellulose
C	10 μm	Cellulose
D	25 μm	Cellulose

Table 3 **Collapse**

Code	Collapse Rating
C	75 psid (5 bar)

Table 4 **Seals**

Code	Material
B	Buna
*V	Viton®

* Glas-Tech elements only
Viton® is a registered trademark of
DuPont Performance Elastomers

For more info email: fluidpower@ptitechnologies.com



PTI Technologies Inc.
501 Del Norte Boulevard
Oxnard, California 93030
800-331-2701 • 805-604-3700
www.ptitechnologies.com



©2021 An ESCO Technologies Company All Rights Reserved.

PTI Technologies Inc is certified to ISO standards